

SINGLE CHAMBER PRESS EK 700 MINI

weight of the bale up to 40 kg

- high pressing force of 30 kN (approx. 3 t pressing weight)
- long ram stroke of 700 mm

no waiting time

- automatic control **type Strautmann HydroLogic®**

fast press cycle

- cycle time approx. 25 sec.

user friendly operation

- easy operation
- push button control
- easy bales tying by twine hook
- light bale setting with opened chamber door
- low-noise less than 80 dB
- simple setting up of machinery

easy filling

- high filler volume
- manuel input from the front
- large filler flap of 730 x 400 mm

high filler volume

- despite small overall height, a filler volume of approx. 1,2 m³
- first filling of 0,3 m³
- long ram stroke guarantee a filling volume up to 0,13 m³
- spring-loaded retention device to prevent the expansion of material

comfortable removal of the bale

- bale cart for easy bale ejection
- conical side walls of the pressing chamber

high safety standards

- encoded solenoid switch for surveillance of door latch
- double bolted doors for extra safety
- checked safety norms
- manufactured according to **CE** norms

high flexibility

- spring-loaded retention hooks can be supplied for different types of material

easy transported

- transport with hand forklift without problems possible
- machine height 2033 mm
- transport height 1700 mm possible

premium package

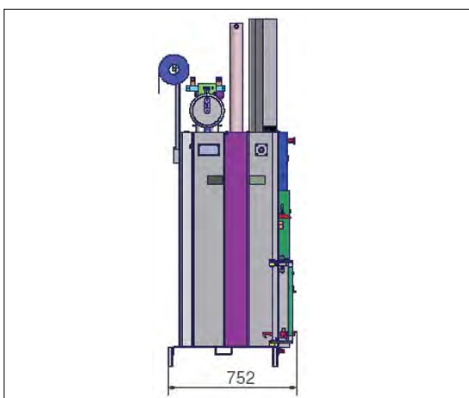
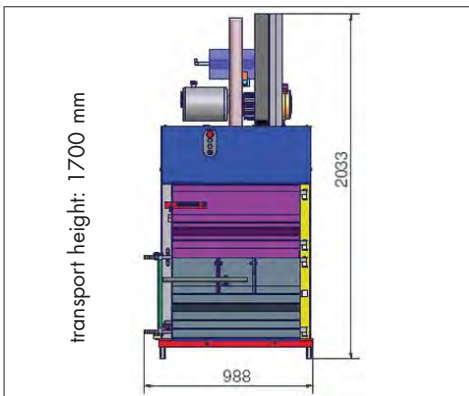
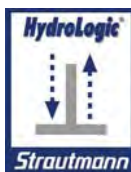
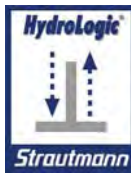
- electricity supply - 30 kN/230 V/1,5 kW/50 Hz
- automatic control **type Strautmann HydroLogic®**
- retaining claws in the press chamber
- bale ready information
- 2 coils of twine **type Strautmann SU 9/500**

Options

- zinc plated version for wet waste areas
- can crushing platform
- Connection to dust extraction
- bale cart
- explosion proof electrical version
- hydraulic system on basis of **bio-oil**

Accessories

- bale twine **type Strautmann SU 9/500**



electricity supply	max. machine weight	pressing weight	max. size of bale	max. weight of bales*
230 V / 1 ph / 50 Hz / 1,5 kW	approx. 380 kg	3 t	700 x 500 x approx. 350 mm	up to 40 kg

*Attention: weight of bales depends on material!

OTHER STRAUTMANN PRODUCTS

Single or multi-chamber balers (bale weight from 30 to 600 kg). Eurocart compactors, balers for wet and moistwaste, drumcrushers, briquetting presses, special solutions.

Strautmann Umwelttechnik GmbH
Auf dem Haarkamp 22
D-49219 Glandorf
Telefon +49 54 26 • 80 777 -0
Telefax +49 54 26 • 80 777 -20
e-mail info@strautmann-umwelt.de
internet www.strautmann-umwelt.de

Strautmann
Umwelttechnik

Your specialist for
Environmental recycling
technology

SINGLE CHAMBER PRESS

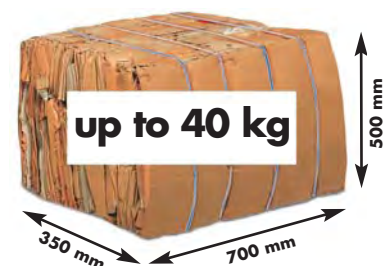
EK 700 MINI



- Reduction of volume up to 90 %
- Saving storage and transport cost
- Salvaging waste material by separate collection
- Simple operation
- Universally applicable
- Small utility space

compaction up to 3 t

- cardboard
- paper
- plastics
- cans
- etc.



**WASTE MANAGEMENT -
WITH STRAUTMANN UMWELTECHNIK**