

Strautmann Umweltechnik GmbH
 Auf dem Haarkamp 22
 D-49219 Glandorf
 Phone: +49 (0) 54 26 /80 777 - 0
 Fax: +49 (0) 54 26 /80 777 - 20
 E-Mail: info@straumann-umwelt.de
 Internet: www.straumann-umwelt.de

Strautmann
 Umwelttechnik

Your specialist for
 Environmental recycling
 technology

SINGLE CHAMBER BALING PRESS

PP 1208 PLUS⁷⁰



**THE
 POWER PACKAGE!
 WITH 70
 TONS!**



- Volume reduction up to 90 %
- Save storage and transport costs
- Revenues are available for baled material
- Salvaging waste material by separate collection
- Energy-saving driving concept
- Simple operation
- Hydraulic bale ejection

Compacts with 70 t pressing weight ...

- cardboard
- paper
- plastics
- etc.



that results to a spec. pressing power of 750 kN/m²

**WASTE MANAGEMENT -
 WITH STRAUTMANN UMWELTECHNIK**



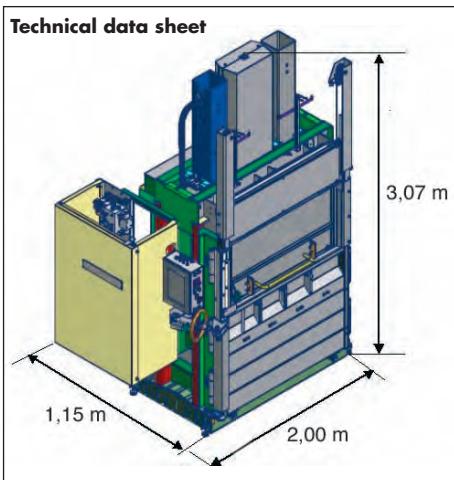
Ergonomic comfortable closing of the filling door with Typ Strautmann QuickDoor®



Easy tying of the bale due to integrated band-hooks



Half-automatic ejection of the bale



Technical data sheet

electricity supply	pressing weight	weight of the machine	max. size of bales	max. weight of bales
400 V / 3 ph / 9,2 kW / 50 Hz	70 t	2,8 t	1200 x 800 – 820 x 800 – 1200 mm	550 kg

Subject to alterations 03/2006

*Attention: weight of bales depends on material!

SINGLE CHAMBER BALING PRESS PP 1208 PLUS⁷⁰

▶ weight of the bale of up to 550 kg



- high pressing force of 700 kN (approx. 70 t pressure)
- high specific pressing force of 750 kN/m²
- long ram stroke of 890 mm
- adjustable stable press-plate guiding **Type Strautmann TopPlus®**

▶ no waiting time during the press cycle



- automatic control **Type Strautmann MicroLogic®**
- quick pressing mechanism

▶ user friendly operation

- microprocessor control **Type Strautmann MicroLogic®**
- visual bale-ready signal
- easy tying of pressed bales when chamber door is open
- low-noise with less than 80 dB
- automatic bale ejection with safety 2-hand operation

▶ energy-saving driving concept

through the use of a twin-pump as hydrolic drive the following advantages in comparison to a single-pump emerge:

- reduction of the **energy capacity top with 40 %**
- reduction of the **energy costs with 50 %**

▶ easy loading



- floor space required under 2,3 m²
- easy opening and closing of the filling door
- Snap-shut „quick - door“ for ease of loading **Type Strautmann QuickDoor®**

▶ high volume capacity

- first filling capacity of 1,5 m³

▶ high fill up volume



- long ram stroke guarantees a filling volume of up to 0,85 m³
- Serrated retention system prevents the expansion of the material **Type Strautmann CircleSystem®**

▶ easy bale removal



- hydraulic ejection system **Type Strautmann BaleMatic®** with safety control

▶ high safety standards

- triple encoded solenoid switch for surveillance of door latch
- bolted doors (to be unlocked by foot) when opening
- **GS**-checked safety norms
- manufactured according to **CE** norms

▶ Premium package

- pressing weight of 70 t
- 4 rolls of twine **Type Strautmann SU 19/200**
- 50 clip fasteners for easy tying of strapping twine
- transport height: 2160 mm
- hydraulic tandem pump

▶ options / accessories

- different transport height: 1960 mm, 2160 mm, 2360 mm
- integrated hooks in the pressing shield
- automatic door opening of the snap-shot door
- hydraulic closing of the bale-ejection-door
- bale twine **Type Strautmann SU 19/200**
- ratchet for tighten the twine
- galvanised version for wet waste areas
- connection to dust extraction
- explosion proof electrical version
- hydraulic system on **basis of bio-oil**

OTHER STRAUTMANN PRODUCTS

Single or multi chamber baling presses (bale weight from 30 to 600 kg). Rubbish bin and container compactors, balers for wet and moist waste, drumcrushers, briquetting presses, special solutions.